

LTCC 带通滤波器 (LTCC Bandpass Filter)

HT-BFCN-3085+

50 Ω 2800MHz to 3400MHz

THE BIG DEAL

- Low Insertion Loss, 1.65 dB Typ.
- Good Rejection, 26 dB Typ.
- 1206(3.2mm*1.6mm) Surface Mount Footprint.
- Power Handling: 1.5 Watts.

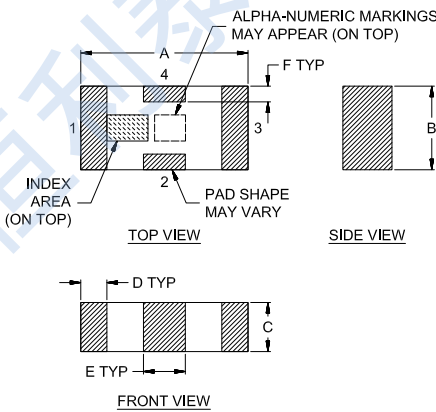
and Applications

- Harmonic Rejection.
- Transmitters / Receivers.
- Military and Avionics

Pad Connections

Input	1
Output	3
Ground	2, 4

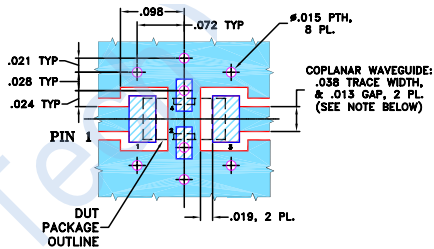
Outline Drawing



Outline Dimensions : inch mm

A	B	C	D	E	F	Wt.
.126	.063	.037	.020	.032	.009	grams
3.20	1.60	0.94	0.51	0.81	0.23	.020

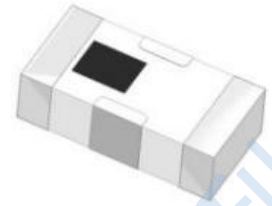
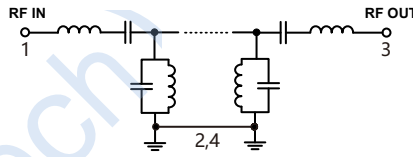
Demo Board MCL P/N:TB-270+ Suggested PCB Layout (PL-137)



NOTES: 1. COPLANAR WAVEGUIDE PARAMETERS ARE SHOWN FOR ROGERS RO4350B WITH THICKNESS .020" ± .0015". COPPER: 1/2 OZ. EACH SIDE. FOR OTHER MATERIALS TRACE WIDTH & GAP MAY NEED TO BE MODIFIED.

2. BOTTOM SIDE OF THE PCB IS CONTINUOUS GROUND PLANE.
- DENOTES PCB COPPER LAYOUT WITH SMOBC (SOLDER MASK OVER BARE COPPER)
 - DENOTES COPPER LAND PATTERN FREE OF SOLDER MASK

Functional Schematic

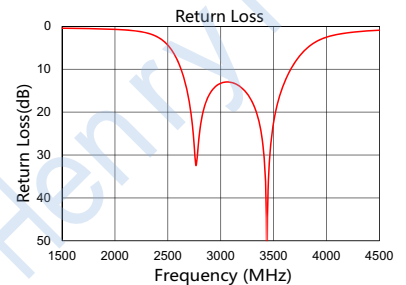


Electrical Specifications at 25°C

Parameter	Frequency (MHz)	Min.	Typ.	Max.	Unit
Pass Band	Center Frequency	—	3085	—	MHz
	Insertion Loss	2800 - 3400	1.65	2.5	dB
	Return Loss	2800 - 3400	6.0	8.5	dB
Stop Band Lower	Rejection	DC - 1750	20	26	dB
Stop Band Upper	Rejection	4250 - 7800	20	25	dB

Typical Performance Data at 25°C

Frequency (MHz)	Insertion Loss (dB)	Return Loss (dB)
10	90.29	0.05
126	68.87	0.04
1025	46.40	0.28
1750	26.19	0.55
2030	18.14	0.75
2800	1.09	24.69
3000	1.18	13.28
3085	1.19	13.02
3300	1.07	17.81
3400	1.06	28.11
4165	24.65	1.63
4250	34.36	1.37
5315	45.89	0.56
6025	32.89	0.53
6380	31.25	0.59
7800	34.73	0.56



Notes

- The specifications are tested at 25°C±5°C, relative humidity 55~75%.
- Other quality and characteristic not specify in this datasheet.

Maximum Ratings

Operating Temperature	-55°C to +100°C
Storage Temperature	-55°C to +100°C
RF Power Input*	2W at 25°C

*Permanent damage may occur if any of these limits are exceeded.