

LTCC 低通滤波器 (Low Pass Filter)

HT-LFCN-490+

Features

- Low insertion loss.
- Good rejection.
- LTCC Construction.
- temperature stable.
- Small size.

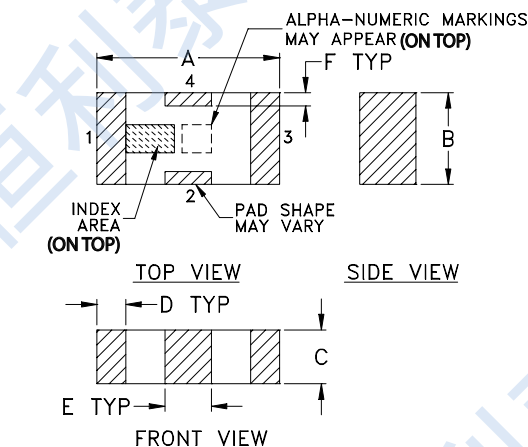
Applications

- Harmonic rejection.
- VHF/UHF transmitters/receivers.
- Lab use.

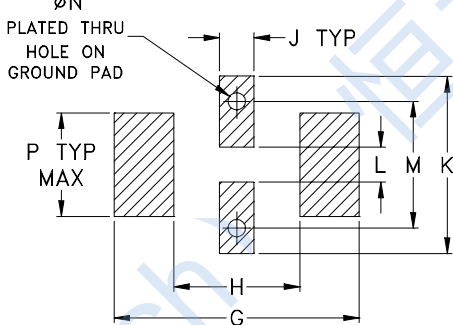
Pad Connections

RF IN	1
RF OUT	3
GROUND	2,4

Outline Drawing



PCB Land Pattern

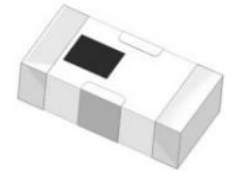
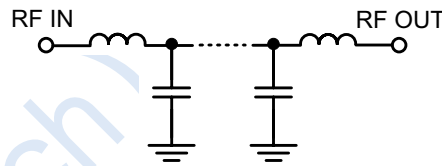


Outline Dimensions : inch mm

A	B	C	D	E	F	G
.126	.063	.037	.020	.032	.009	.169
3.20	1.60	0.94	0.51	0.81	0.23	4.29

H	J	K	L	M	N	P	wt
.087	.024	.122	.024	.087	.012	.071	grams
2.21	0.61	3.10	0.61	2.21	0.30	1.80	.020

Functional Schematic



50 Ω
DC to 490MHz

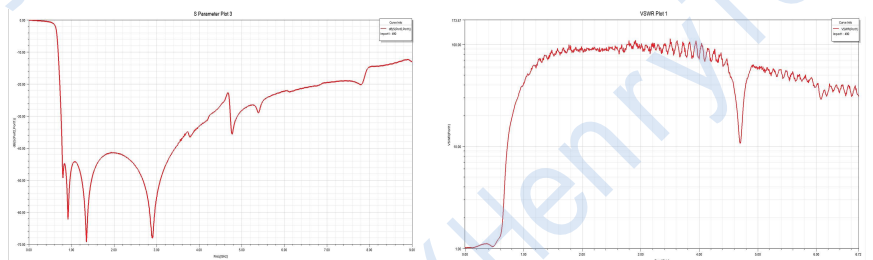
Electrical Specifications(1) at 25°C

Parameter	Frequency (MHz)	Min.	Typ.	Max.	Units	
Passband	Insertion Loss	DC-490	—	—	1.2	dB
	Freq. Cut-Off	650	—	3.0	—	dB
	VSWR	DC-490	—	1.2	—	: 1
Stop Band	Rejection Loss	800	20	—	—	dB
		880-2500	—	40	—	
		6000	—	20	—	
	VSWR	800-6000	—	20	—	: 1

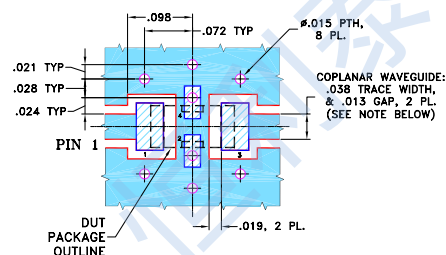
1. In Application where DC voltage is present at either input or output ports, coupling capacitors are required.

Typical Performance Data at 25°C

FREQUENCY (Mhz)	INSERTION LOSS (dB)	VSWR (:1)
1.00	0.02	1.03
100.00	0.15	1.02
490.00	0.64	1.05
650.00	3.77	2.23
780.00	38.23	16.69
790.00	47.62	18.40
810.00	46.51	20.67
880.00	49.85	28.61
1050.00	44.36	48.17
1485.00	49.36	87.91
2065.00	41.56	88.01
2500.00	45.56	92.36
4000.00	33.18	77.49
5500.00	25.21	51.77
6000.00	22.23	39.98



Suggested PCB Layout



Maximum Ratings

Operating Temperature	-55°C to +125°C
Storage Temperature	-55°C to +125°C
RF Power Input*	8.5W at 25°C

*Permanent damage may occur if any of these limits are exceeded.