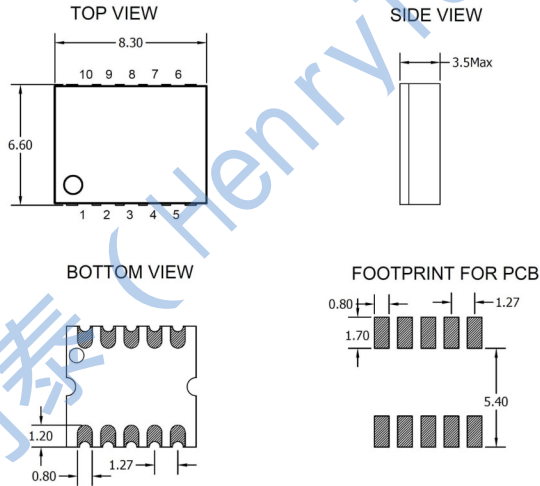




5-1000Mhz 50Ω 4 Ways 0° Power Splitter

HT-SCA-4-10+

Mechanical Dimensions:



Ports Configuration:

SUM PORT (PORT S)	3
PORT 1	6
PORT 2	7
PORT 3	9
PORT 4	10
GROUND	1,2,4,5,8

Schematic:



Notes:

- 1: Dimensions in mm.
- 2: Tolerance  $\pm 0.3\text{mm}$  unless otherwise noted.

Maximum Ratings:

Parameters	Conditions	Unit	Min	Max
RF Power		Watt		1
DC Current		mA		500
Operating Temperature Range		Degree Cel	-40	85
Storage Temperature Range		Degree Cel	-55	100
Moisture Sensitivity Level				1

Ordering Information:

Part Description	Details
HT-SCA-4-10+	800 per reel



5-1000MHz 50Ω 4 Ways 0° Power Splitter

HT-SCA-4-10+

Electrical Specifications: Zo=50 Ohm Pin = 0 dBm

Parameter	Test Conditions	Unit	Min	Typical	Max
Frequency Range	-	MHz	5	~	1000
Insertion Loss	5-1000MHz	dB	-	0.6	1.3
Amplitude Unbalance	5-1000MHz	dB	-	0.1	0.6
Phase Unbalance	5-1000MHz	Degree	-5	1	5
Input VSWR	5-1000MHz	-	-	1.25	1.35
Output VSWR	5-1000MHz	-	-	1.3	1.5
Isolation	5-1000MHz	dB	16	18	-

Notes:

1: Specifications guaranteed over the operating temperature range.

Typical Performance Curves:

