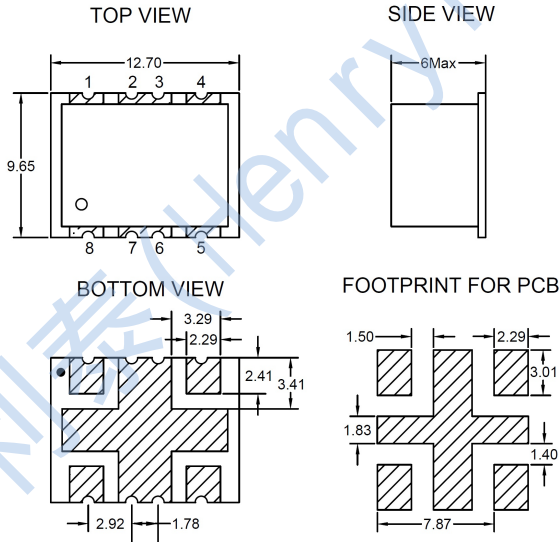




20-1200Mhz 50Ω 3 Ways 0° Power Splitter

HT-SYPS-3-12W+

Mechanical Dimensions:



Notes:

- 1: Dimensions in mm.
- 2: Tolerance  $\pm 0.3$ mm unless otherwise noted.

Ports Configuration:

SUM PORT (PORT S)	8
PORT 1	1
PORT 2	2
PORT 3	5
GROUND	ALL OTHER

Schematic:



Maximum Ratings:

Parameters	Conditions	Unit	Min	Max
RF Power		Watt		1
DC Current		mA		50
Operating Temperature Range		Degree Cel	-40	85
Storage Temperature Range		Degree Cel	-55	100
Moisture Sensitivity Level				1

Ordering Information:

Part Description	Details
HT-SYPS-3-12W+	500 per reel



20-1200Mhz 50Ω 3 Ways 0° Power Splitter

HT-SYPS-3-12W+

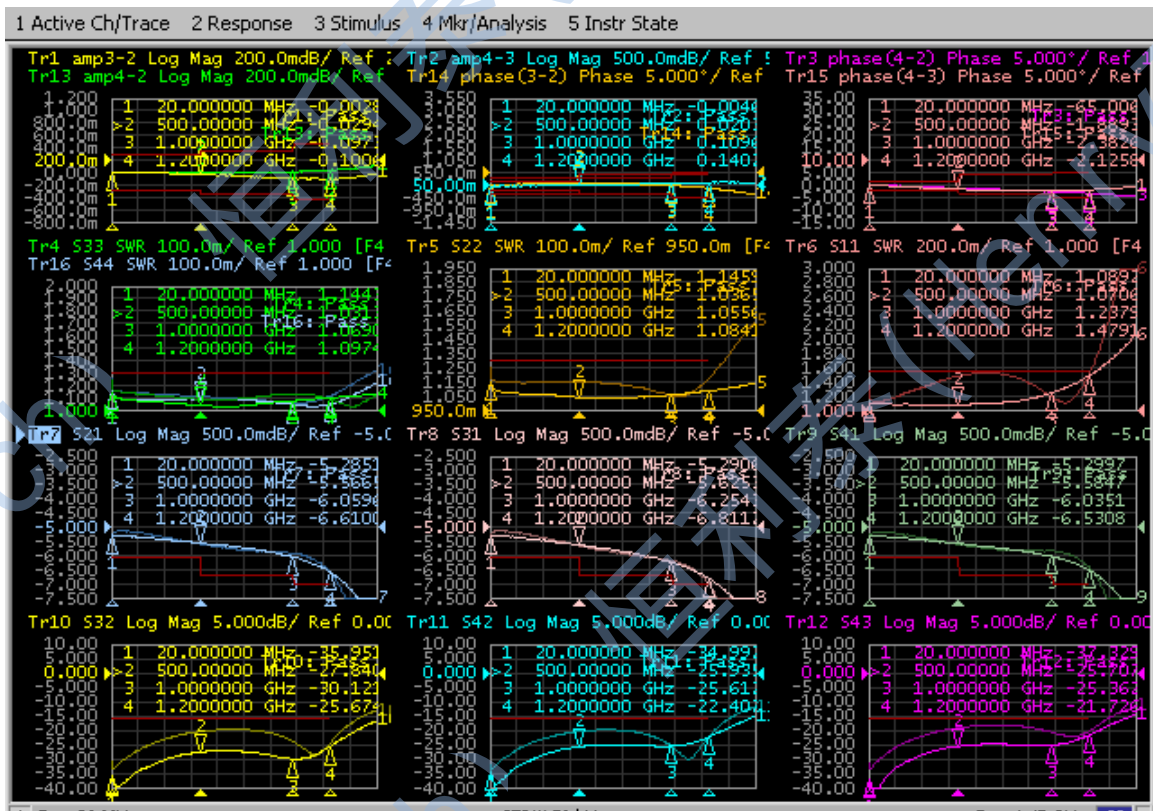
Electrical Specifications: Zo=50 Ohm Pin = 0 dBm

Parameter	Test Conditions	Unit	Min	Typical	Max
Frequency Range	-	MHz	20	~	1200
Insertion Loss	20-500MHz	dB	-	0.7	1.4
	500-1000MHz			1.2	2.0
	1000-1200MHz			1.7	2.9
Amplitude unbalance	20-500MHz	dB	-	-	0.3
	500-1000MHz			-	0.7
	1000-1200MHz			-	0.9
Phase unbalance	20-500MHz	°	-	-	2
	500-1000MHz			-	4
	1000-1200MHz			-	6
Input VSWR	20-1200MHz	-	-	1.35	1.65
Output VSWR	20-1200MHz	-	-	1.2	1.3
Isolation	20-500MHz	dB	16	24	-
	500-1000MHz		15	20	
	1000-1200MHz		16	24	

Notes:

1: Specifications guaranteed over the operating temperature range.

Typical Performance Curves:



Tel: +86-28-85589664

E-mail: mr\_li@henglitaitech.com

Web: www.hltchips.com

Room 1401, 14th Floor, Building 5, Huaxi Science and Technology Innovation Center, No. 50, Shuixi Road, Jinniu District, Chengdu City