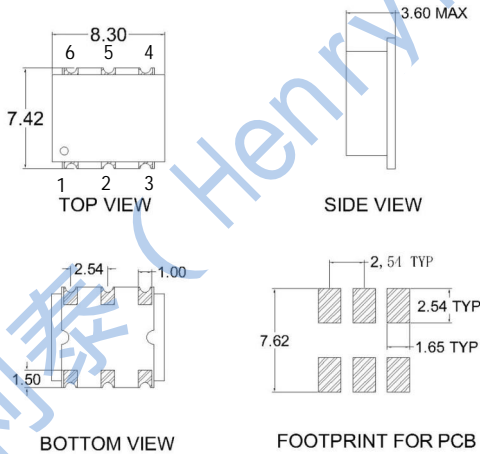




5-300Mhz 50Ω 3 Ways 0° Power Splitter

HT-JPS-3-1+

Mechanical Dimensions:



Notes:

- 1: Dimensions in mm.
- 2: Tolerance $\pm 0.3\text{mm}$ unless otherwise noted.

Ports Configuration:

SUM PORT	1
PORT 1	6
PORT 2	4
PORT 3	3
GROUND	2,5

Schematic:



Maximum Ratings:

Parameters	Conditions	Unit	Min	Max
RF Power		Watt		2
DC Current		mA		500
Operating Temperature Range		Degree Cel	-40	85
Storage Temperature Range		Degree Cel	-55	100
Moisture Sensitivity Level				1

Ordering Information:

Part Description	Details
HT-JPS-3-1+	800 per reel



5-300MHz 50Ω 3 Ways 0° Power Splitter

HT-JPS-3-1+

Electrical Specifications: Zo=50 Ohm Pin = 0 dBm

Parameter	Test Conditions	Unit	Min	Typical	Max
Frequency Range	-	MHz	5	~	300
Insertion Loss	5-300MHz	dB	-	0.5	1
Amplitude unbalance	5-300MHz	dB	-0.3	0.1	0.3
Phase unbalance	5-300MHz	dB	-3	0.5	3
Input VSWR	5-300MHz	dB	1.25	1.1	-
Output VSWR	5-300MHz	dB	1.25	1.15	-
Isolation	5-300MHz	dB	22	30	-

Typical Performance Curves:

