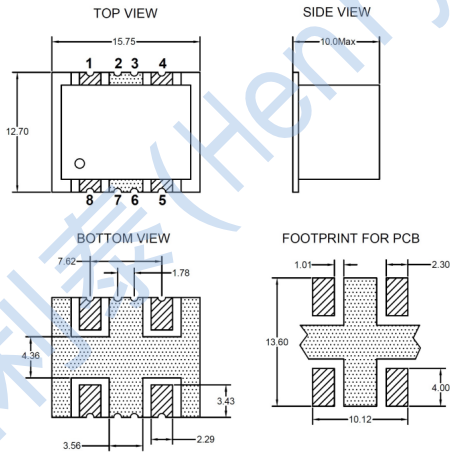




1-30Mhz 50Ω 30dB Coupler

HT-CP30-1-30+

Mechanical Dimensions:

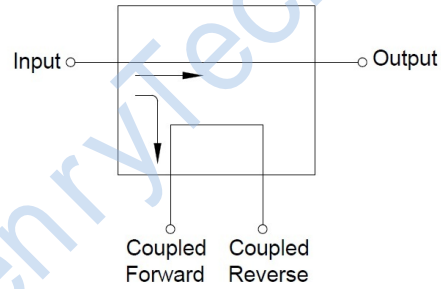


- Notes:
1: Dimensions in mm.
2: Tolerance ± 0.3 mm unless otherwise noted.

Ports Configuration:

Input	8
Output	1
Coupled Forward	5
Coupled Reverse	4
Ground	Other

Schematic:



Maximum Ratings:

Parameters	Conditions	Unit	Min	Max
RF Power		Watt		60W
DC Current		mA		2000
Operating Temperature Range		Degree Cel	-40	85
Storage Temperature Range		Degree Cel	-55	100
Moisture Sensitivity Level				1

Ordering Information:

Part Description	Details
HT-CP30-1-30+	500 per reel



1-30MHz 50Ω 30dB Coupler

HT-CP30-1-30+

Electrical Specifications: Zo=50 Ohm Pin = 0 dBm

Parameter	Test Conditions	Unit	Min	Typical	Max
Frequency Range	-	MHz	1	~	30
Insertion Loss	1-30MHz	dB	-	-	0.25
Coupling	1-30MHz	dB	29.5	30	30.5
Directivity	1-30MHz	dB	22	-	-
VSWR	1-30MHz	-	-	-	1.2

Typical Performance Curves:

