

LTCC 带通滤波器 (LTCC Bandpass Filter) HT-B4525-9.1-9.5G+

Features

- Low Insertion Loss.
- Excellent power handling.
- Good rejection.
- Temperature stable.
- LTCC construction , and has good moisture resistance, corrosion resistance, high reliability.

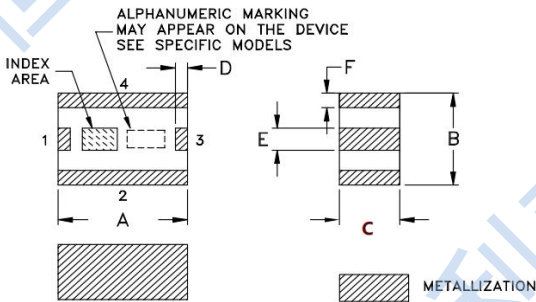
Applications

- Harmonic Rejection.
- Transmitters / Receivers.
- Software defined radio.
- WLAN.
- Cellular network.
- Weather radar

Pad Connections

Input	1
Output	3
Ground	2、4

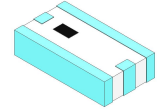
Outline Drawing



Outline Dimensions (Unit: mm)

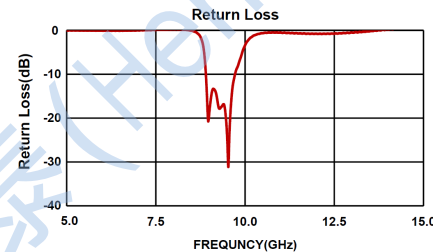
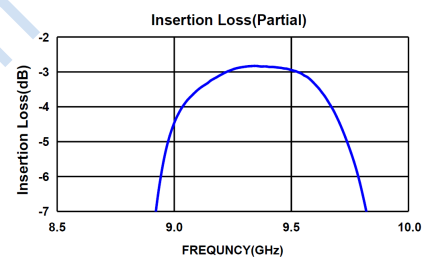
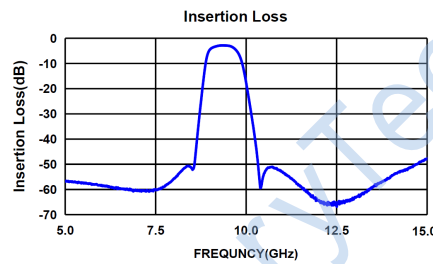
A	B	C
4.50±0.25	2.50±0.20	2.00 max
D	E	F
0.30±0.20	0.60±0.20	0.40±0.20

50 Ω
9100MHz to 9500MHz

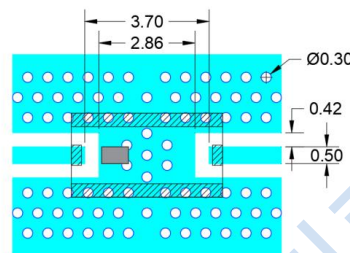


Electrical Specifications at 25°C

Parameter	Frequency (MHz)	Min.	Typ.	Max.	Unit
Pass Band	Center Frequency	—	9300	—	MHz
	VSWR	9100-9500	—	2.0	:1
	Insertion Loss	9100-9500	—	5.0	dB
Stop Band	Rejection	8600	40	—	dB
		10400	40	—	



Suggested PCB Layout



Note:
1.The line width and spacing are as shown in the figure.
Use a 0.254mm thick RO4350B dielectric substrate with 1OZ copper thickness on both sides. If other materials are used, the line width and spacing may need to be adjusted.
2.The bottom layer of the PCB is fully covered with copper.

Maximum Ratings

Operating Temperature	-55°C to +125°C
Storage Temperature	-55°C to +125°C
RF Power Input*	2W at 25°C

*Permanent damage may occur if any of these limits are exceeded.