

LTCC 高通滤波器 (High Pass Filter)

HT-HFCW-7500+

Features

- Low insertion loss.
- Good rejection.
- LTCC Construction.
- temperature stable.
- Small size.

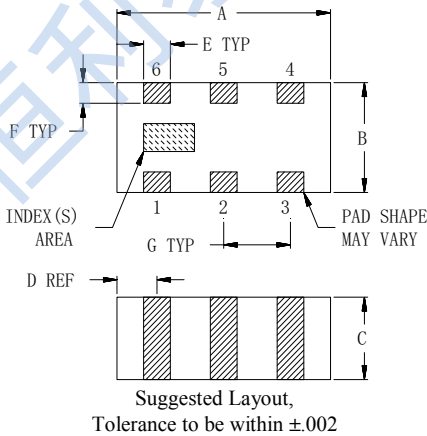
Applications

- Test and measurements.
- Telecommunications and broadband wireless system.
- Satcom modems.

Pad Connections

RF IN	1
RF OUT	3
GROUND	2,4,5,6

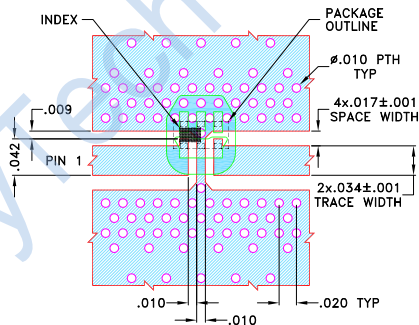
Outline Drawing



Outline Dimensions : inch mm

A	B	C	D	E	F	G	Wt.
.063	.032	.024	.012	.010	.008	.020	grams
1.60	0.80	0.60	0.30	0.25	0.20	0.50	.005

Suggested PCB Layout



- NOTES:
1. COPLANAR WAVEGUIDE PARAMETERS ARE SHOWN FOR ROGERS (RO4350B) WITH DIELECTRIC THICKNESS .020 \pm .0015. COPPER: 1/2 Oz. EACH SIDE. FOR OTHER MATERIALS TRACE WIDTH AND GAP MAY NEED TO BE MODIFIED.
 2. BOTTOM SIDE OF THE PCB IS CONTINUOUS GROUND PLANE.
 - DENOTES PCB COPPER PATTERN WITH SMOBC (SOLDER MASK OVER BARE COPPER)
 - DENOTES PCB COPPER PATTERN FREE OF SOLDERMASK

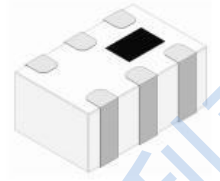
Tel: +86-28-85589664

E-mail: mr_li@henglitaitech.com

Web: www.hltchips.com

Room 1401, 14th Floor, Building 5, Huaxi Science and Technology Innovation Center, No. 50, Shuxi Road, Jinniu District, Chengdu City

50 Ω
8.2 to 21GHz

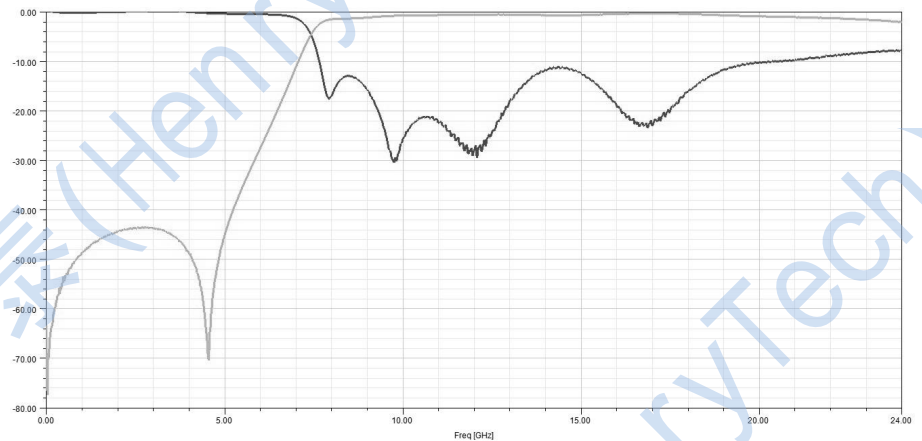


Electrical Specifications(1) at 25°C

Parameter		Frequency (MHz)	Min.	Typ.	Max.	Unit
Stopband	Rejection Loss	DC-4000	38	44	—	dB
		4000-6000	25	34	—	dB
	Freq. Cut-Off	7600	—	3.0	—	dB
Passband	Insertion Loss	8200-9500	—	1.8	—	dB
		9500-15000	—	0.8	1.5	dB
		15000-21000	—	1.0	—	dB
	Return Loss	8200-15000	—	10	—	dB
15000-21000		—	7	—	dB	

1. In Application where DC voltage is present at either input or output ports, coupling capacitors are required.

Typical Performance Data at 25°C



Maximum Ratings

Operating Temperature	-55°C to +125°C
Storage Temperature	-55°C to +125°C
RF Power Input*	2.5W at 25°C

*Permanent damage may occur if any of these limits are exceeded.