

HG-SCN-2-45+

3700-4200MHz 50Ω 2 Way Power Divider
(频率范围3700-4200MHz, 50Ω阻抗, 2路功率分配器)

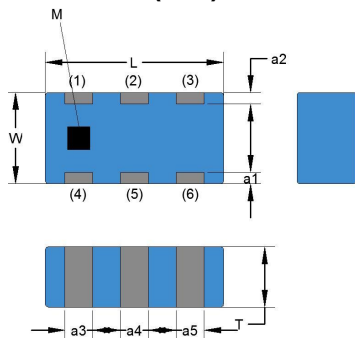
APPLICATIONS(应用)

• Ideally suitable for CATV applications.(有线电视)

FEATURES (特点)

- Surface mount (SMT表面贴装)
- 2 Way 0 degree (2路0°)
- 260°C reflow compatible (适用于260°C回流焊)
- RoHS compliant and Pb free (符合RoHS标准, 无铅)
- Available on tape and reel (可用于磁带和卷轴)

DIMENSIONS(尺寸)

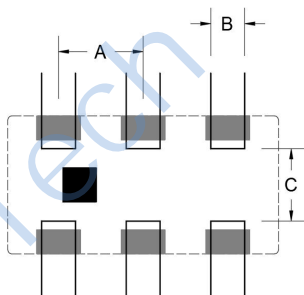


L	W	T
3.2	1.6	1.5Max
a1/a2	a3/a4/a5	
0.28	0.52	

Unless otherwise stated dimensions are in mm Tolerance: .xx ±0.2 .xxx ±0.15

除非另有说明, 否则尺寸单位为毫米公差: .xx±0.2.xxx±0.15

PCB LAYOUT (建议焊盘位置、尺寸)



A	B	C
1	0.4	0.94

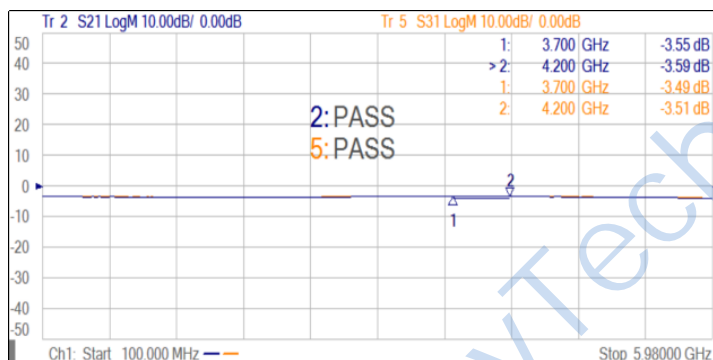
ELECTRICAL SPECIFICATIONS@25°C:

(25°C室温下相关测试参数)

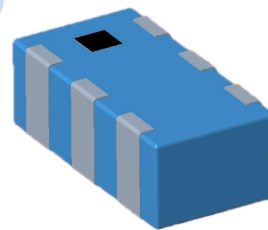
Frequency Range (频率范围)	3700~4200MHz	Phase balance (相位平衡度)	≤4° 3.7~4.2GHz
Insert loss above 3dB	≤1.0dB 3.7~4.2GHz	VSWR (≤1.5:1 3.7~4.2GHz
Isolation	≥15dB 3.7~4.2GHz	Return Loss	≥13dB 3.7~4.2GHz
Amplitude balance (幅度平衡度)	≤0.4dB 3.7~4.2GHz		

TEST CURVE (测试曲线)

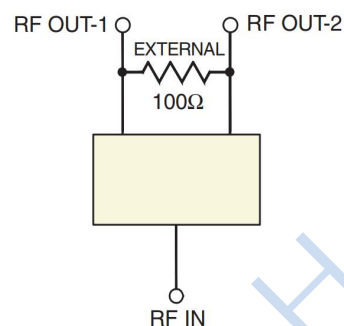
1.Total insertion loss (总插入损耗)
(insertion loss+3dB allocation loss) (插入损耗+3dB分配损耗)



Product Appearance Diagram (产品示意图)



FUNCTIONAL SCHEMATIC (产品原理图)



PIN CONFIGURATION (引脚配置)

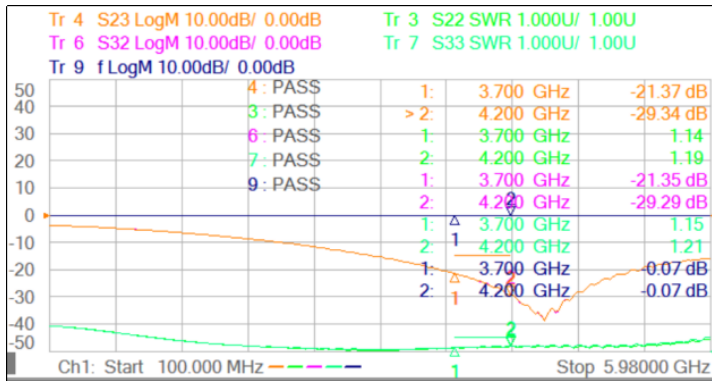
Pin No.	Function
1	GND
2	Input
3	GND
4	Output 1
5	GND
6	Output 2

ABSOLUTE MAXIMUM RATINGS (参数配置)

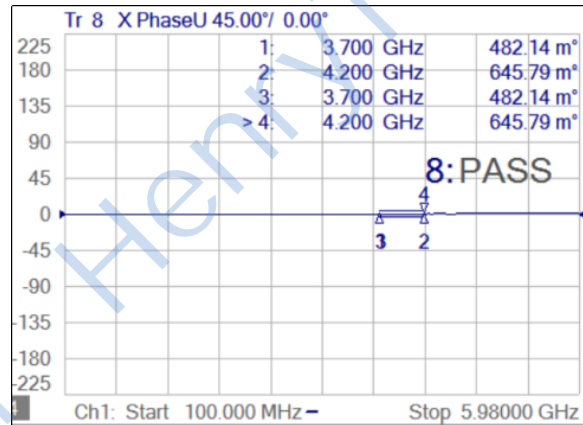
Parameter	Value
Input RF Power (输入功率)	20W Max
Operating Temperature Range (工作温度)	-55 to 85
Storage Temperature Range (存储温度)	-10 to 40
Storage relative humidity(相对湿度)	≤70%

TEST CURVE

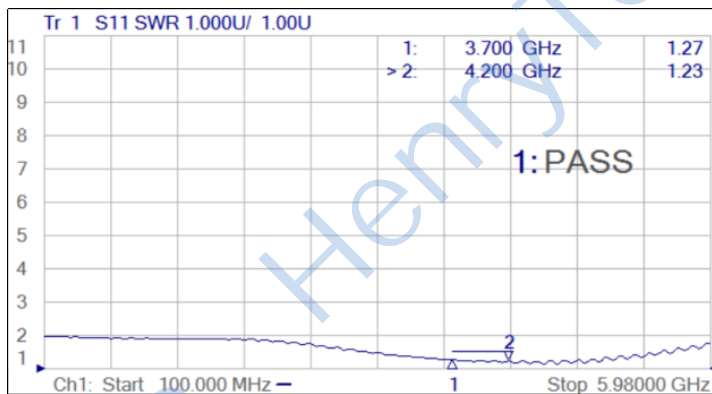
2. Isolation And Amplitude Balance



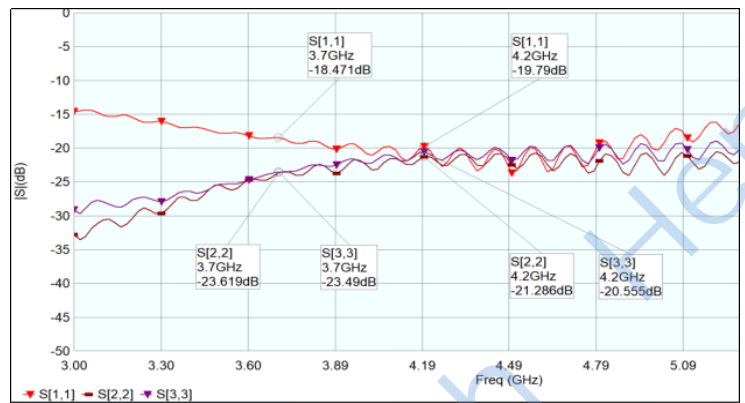
3. Phase Balance



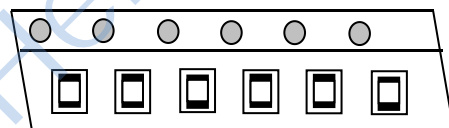
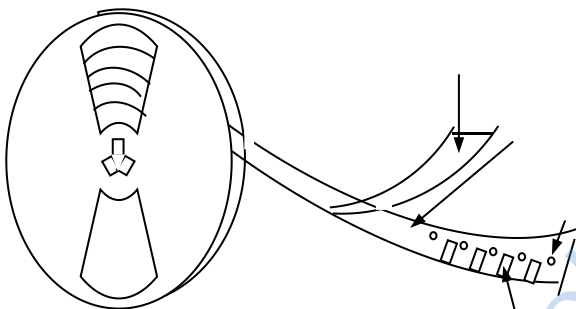
4. VSWR



5. Return Loss

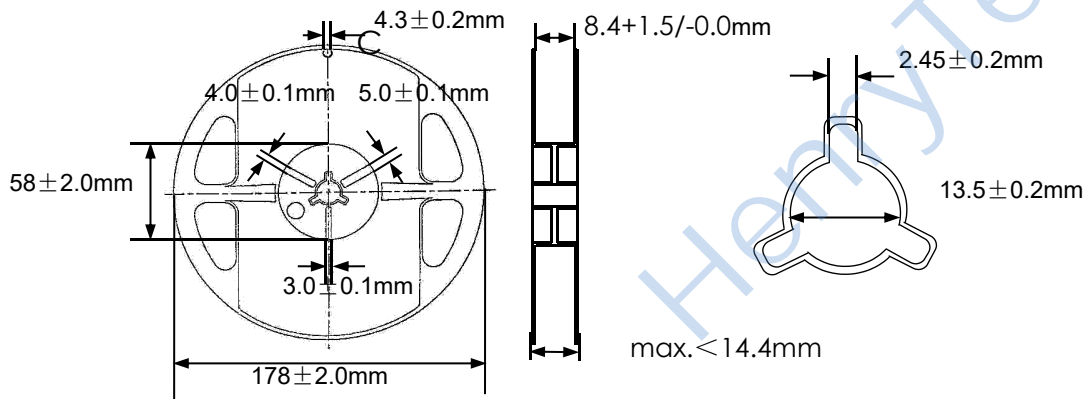


Packaging method (包装方式)



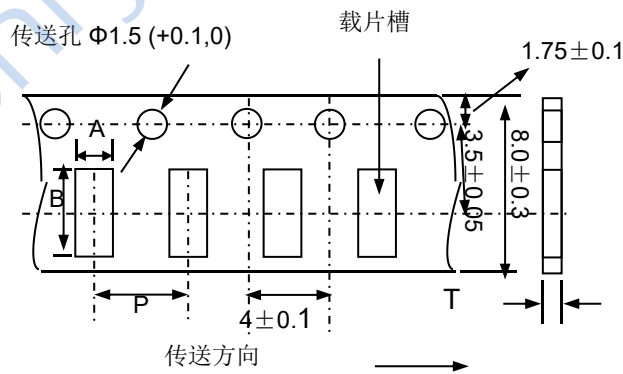
说明：当编带按本图所示由上往下的方向拉出编带时，传送孔位于编带的右侧。

Tape size (卷带尺寸)



Carrier size (载带尺寸)

塑带



Type	A	B	P	Tmax.
3216	1.8±0.1	3.4±0.1	4.0±0.1	1.5