

1

2

3

4

This document contains proprietary information and such information may not be disclosed to others for any purposes, not used for sales/marketing/procurement purposes without written permission

REV	DESCRIPTION OF REVISION	ECN NO.	BY	DATE	APPROVED
A	Initial Release	—	H.wei	12/7/06	12/7/06

### 1 Electrical

- 1.1 Impedance: 50 Ω
- 1.2 Frequency: DC~65GHz
- 1.3 VSWR: 1.40:1
- 1.4 Insertion Loss: 0.3dB max

### 2 Mechanical&Environmental

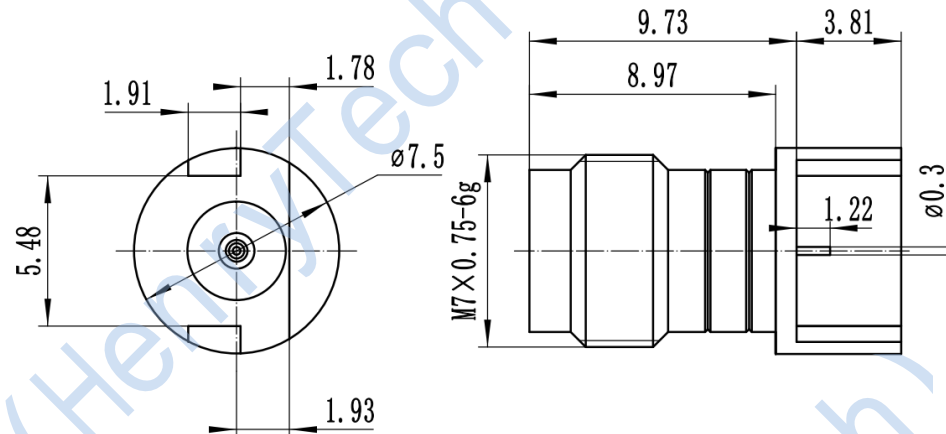
- 2.1 Temperature range -45℃~+125℃
- 2.2 Durability(matings) >500
- 2.3 RoHs Compliant Yes

### 3 Material&Finish

- 3.1 Pin contact: Beryllium-Copper, gold plated
- 3.2 Body: Brass, gold plated
- 3.3 Insulators: PEI


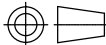
### 4 Interface Standards

- 4.1 1.85 MIL-STD-348A



#### Notes:

- 1. ALL SPECIFICATIONS ARE SUBJECT TO CHANGE NOTICE AT ANY TIME
- 2. CUSTOMER OUTLINE DRAWING FOR REFERENCE ONLY

DRAWN: H.wei 12/07/06	TITLE:				
ENGINEER: L.yu 12/07/06	RF Coaxial Connector				
APPROVED: W.yi 12/07/06	1.85mm Female PCB Mount Connector	 DIMENSION IN MILLIMETERS (mm)			
TOLERANCES UNLESS OTHERWISE SPECIFIED	PART NO: HL-1.85-KHT0.3				
X ±0.50	SIZE: A4	SCALE: N/A	SHEET: 1/1	REV: A	
.X ±0.20					
.XX ±0.10					
ANGLES ±1°					

1

2

3

4