

# LTCC 带通滤波器 (Bandpass Filter)

HT-BFCN-3700+

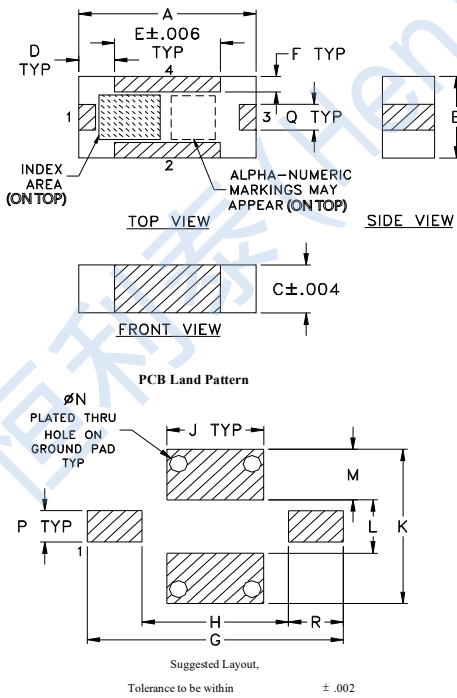
## Features

- Small size
- Temperature stable
- Hermetically sealed
- LTCC construction

## Applications

- Harmonic Rejection
- Transmitters / Receivers
- Test and Measurement

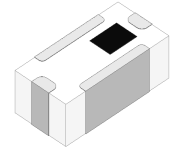
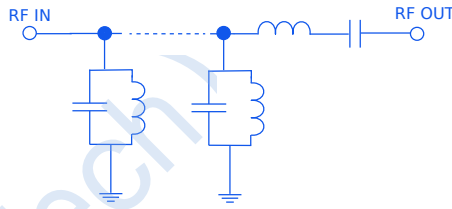
## Outline Drawing



## Outline Dimensions $\frac{\text{inch}}{\text{mm}}$

A	B	C	D	E	F	G	H	J	
.126	.063	.037	.026	.075	.012	.182	.104	.069	
3.20	1.60	0.94	0.66	1.91	0.30	4.62	2.64	1.75	
K	L	M	N	P	Q	R	wt		
.119	.041	.039	.013	.024	.020	.039		grams	
3.02	1.04	0.99	0.33	0.61	0.51	0.99			.020

## Functional Schematic



50  $\Omega$   
3000MHz to 4600MHz

## Electrical Specifications(1,2) at 25°C

Parameter		Frequency (MHz)	Min.	Typ.	Max.	Unit
Pass Band	Center Frequency	3000 - 4600	—	3700		MHz
	Insertion Loss	3000 - 4600	—	1.9	3.5	dB
	VSWR			2.26		:1
Stop Band, Lower	Insertion Loss VSWR	2100	21	28	—	dB
		2100		23	—	:1
Stop Band, Upper	Insertion Loss VSWR	5600 - 8000	10	24	—	dB
		5600 - 8000		16	—	:1

## Pad Connections

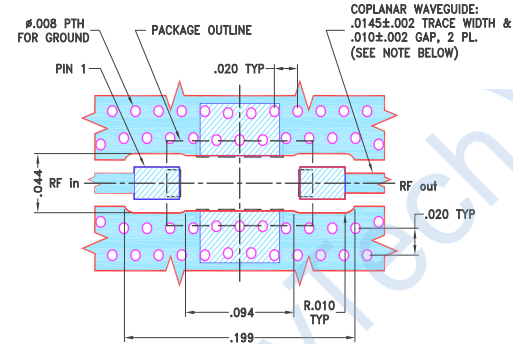
Input	1
Output	3
Ground	2, 4

## Maximum Ratings

Operating Temperature	-55°C to +100°C
Storage Temperature	-55°C to +100°C
RF Power Input*	2W max at 25°C

\*Permanent damage may occur if any of these limits are exceeded.

## Suggested PCB Layout

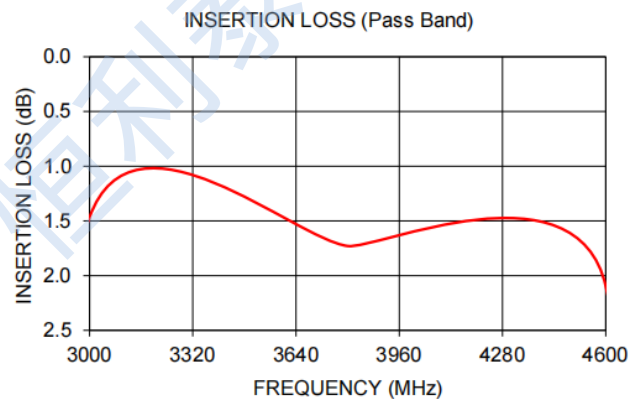
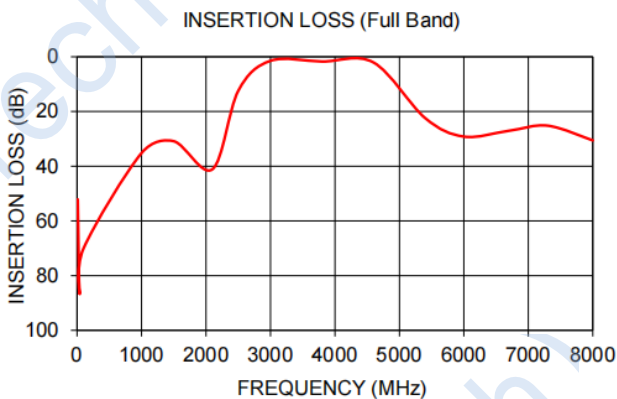


### NOTES:

1. TRACE WIDTH PARAMETERS ARE SHOWN FOR ROGERS RO4350B WITH DIELECTRIC THICKNESS .0066"±.0007". COPPER: 1/2 OZ. EACH SIDE. FOR OTHER MATERIALS TRACE WIDTH AND GAP MAY NEED TO BE MODIFIED.
2. BOTTOM SIDE OF THE PCB IS CONTINUOUS GROUND PLANE.

- DENOTES PCB COPPER LAYOUT WITH SMOBC (SOLDER MASK OVER BARE COPPER).
- DENOTES COPPER LAND PATTERN FREE OF SOLDER MASK.

## Typical Performance Data at 25°C



Typical Performance Data at 25°C

