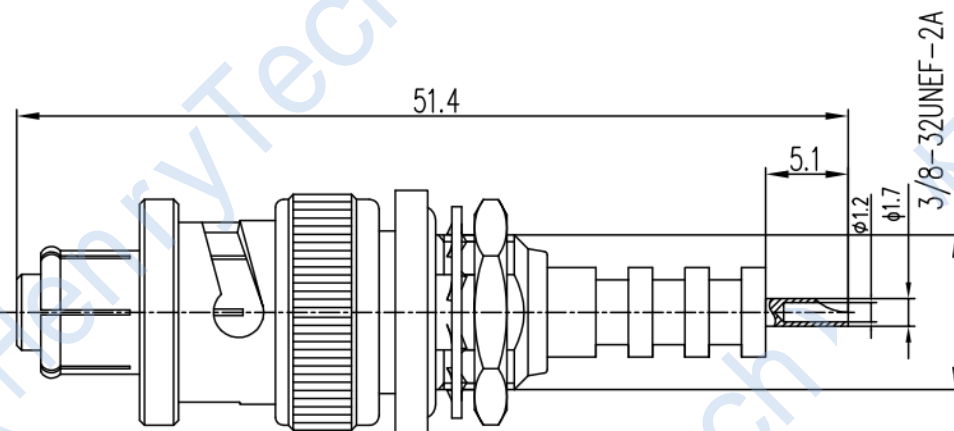


This document contains proprietary information and such information may not be disclosed to others for any purposes, not used for sales/marketing/procurement purposes without written permission


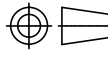
REV	DESCRIPTION OF REVISION	ECN NO.	BY	DATE	APPROVED
A	Initial Release	—	H.wei	19/03/17	19/03/17

Electrical data		Requirments	
Frequency range	DC-300Mhz		
Dieletric withstanding voltage	1KV		
Insulation Resistance	5000MΩ		
Characteristic impedance	50Ω		
Contact resistance			
Center conductor	≤3mΩ		
Outer conductor	≤2.5mΩ		
Mechanical data		Requirments	
Durability (matings)	≥500		
Environmental data		Requirments	
Temperature range	-65°C to 165°C		
Material data		Requirments	
Connector parts	Material	Plating	
Body	Brass	Nickle plated	
Pin Contact	Phosphor bronze	Gold-plated	
Insulators	PTFE		



Notes:

1. ALL SPECIFICATIONS ARE SUBJECT TO CHANGE NOTICE AT ANY TIME
2. CUSTOMER OUTLINE DRAWING FOR REFERENCE ONLY

DRAWN: H.wei 19/03/17	TITLE: SHV female bulkhead Connector for Terminal	 成都恒利泰科技有限公司 Chengdu HenryTech Technology co., Ltd				
ENGINEER: L.yu 19/03/17						
APPROVED: W.yi 19/03/17		 DIMENSION IN MILLIMETERS (mm)				
TOLERANCES UNLESS OTHERWISE SPECIFIED X ±0.50 .X ±0.20 .XX ±0.10 ANGLES ±1°		PART NO: HL-SHV-KYD1	SIZE: A4	SCALE: N/A	SHEET: 1/1	REV: A