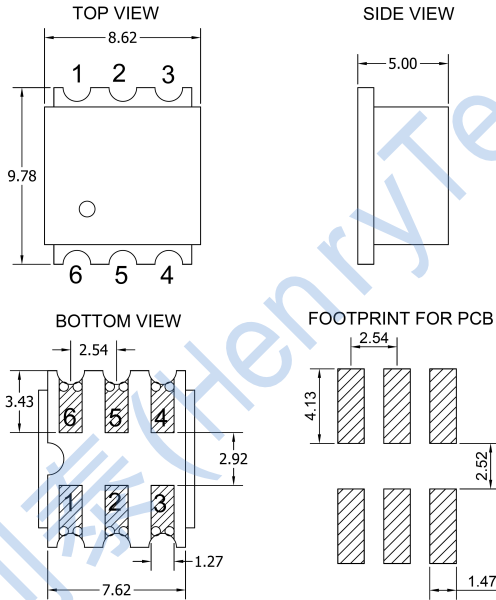




0.015-300Mhz 50Ω 1:1 Ratio Transformer

HT-T1-6T-KK81+

Mechanical Dimensions:

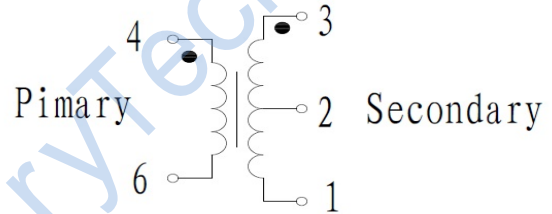


- Notes:
1: Dimensions in mm.
2: Tolerance ± 0.3 mm unless otherwise noted.

Ports Configuration:

Primary dot	4
Primary	6
Secondary dot	3
Secondary	1
Secondary CT	2
Not Used	5

Schematic:



Maximum Ratings:

Parameters	Conditions	Unit	Min	Max
RF Power		Watt		1
DC Current		mA		300
Operating Temperature Range		Degree Cel	-40	85
Storage Temperature Range		Degree Cel	-55	100
Moisture Sensitivity Level				1

Ordering Information:

Part Description	Details
HT-T1-6T-KK81+	800 per reel



0.015-300MHz 50Ω 1:1 Ratio Transformer

HT-T1-6T-KK81+

Electrical Specifications: Ta=25°C Zo=50 Ohm Pin = 0 dBm

Parameter	Test Conditions	Unit	Min	Typical	Max
Frequency Range	-	MHz	0.015	~	300
Impedance	-	-	-	50	-
Impedance Ratio	-	-	-	1:1	-
Insertion Loss	0.015-300MHz	dB	-	-	3
Insertion Loss	0.021-150MHz	dB	-	-	2
Insertion Loss	0.03-50MHz	dB	-	-	1

Notes:

1: Specifications guaranteed over the operating temperature range.

Typical Performance Curves:

