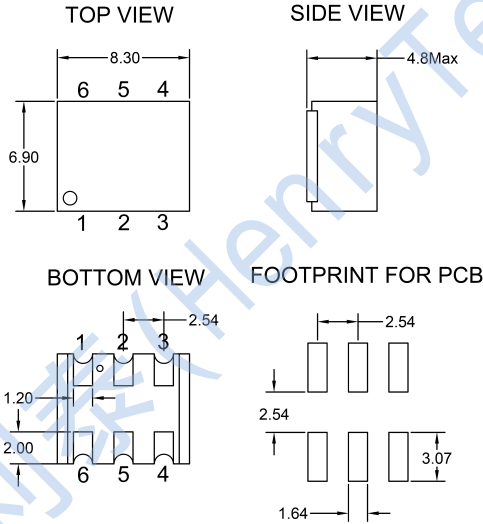




5-2500Mhz LO Power + 13 dBm Frequency Mixer

HT-ADE-25MH+

Mechanical Dimensions:



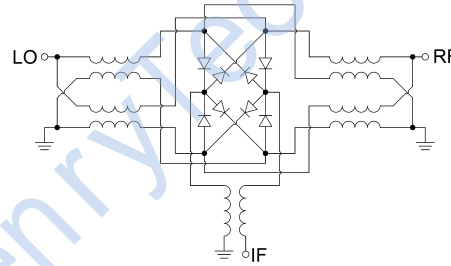
Notes:

- 1: Dimensions in mm.
- 2: Tolerance $\pm 0.3\text{mm}$ unless otherwise noted.

Ports Configuration:

IF	2
RF	3
LO(+13dBm)	6
Ground	1,4,5

Schematic:



Maximum Ratings:

Parameters	Conditions	Unit	Min	Max
RF Power		Watt		0.05
DC Current		mA		10
Operating Temperature Range		Degree Cel	-40	85
Storage Temperature Range		Degree Cel	-55	100
Moisture Sensitivity Level				1

Ordering Information:

Part Description	Details
HT-ADE-25MH+	800 per reel



5-2500Mhz LO Power + 13 dBm Frequency Mixer

HT-ADE-25MH+

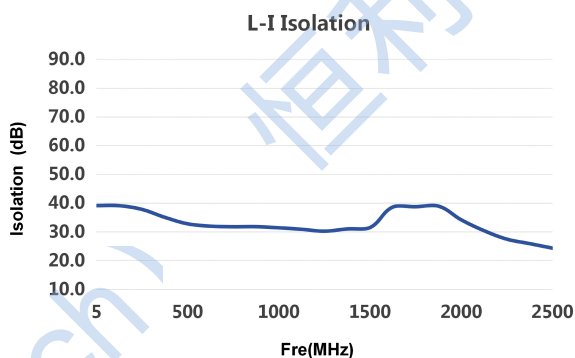
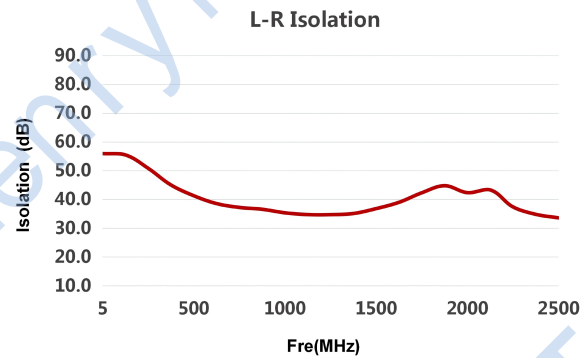
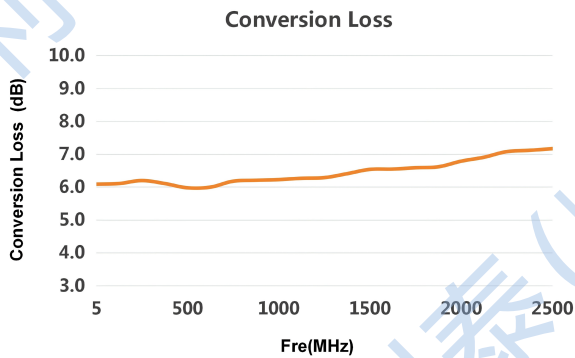
Electrical Specifications: Zo=50 Ohm , LO = +13 dBm

Parameter	Test Conditions	Unit	Min	Typical	Max
Frequency Range	-	MHz	5	~	2500
Conversion Loss	5-2500MHz	dB	-	-	9.8
LO-RF Isolation	5-2500MHz	dB	23	34	-
LO-IF Isolation	5-2500MHz	dB	17	23	-
P1dB	5-2500MHz	dBm	-	6	-
IP3	5-2500MHz	dBm	-	18	-

Notes:

1: Specifications guaranteed over the operating temperature range.

Typical Performance Curves:



Typical Performance Data

Frequency (MHz)		Conversion Loss(dB)	Isolation L-R(dB)	Isolation L-I(dB)
RF	LO	LO(+13dBm)	LO(+13dBm)	LO(+13dBm)
5.00	35.00	6.09	55.97	39.14
25.00	55.00	6.11	55.51	39.11
100.00	130.00	6.20	50.86	37.82
300.00	330.00	6.11	45.06	35.07
500.00	530.00	5.98	41.31	32.81
700.00	730.00	6.00	38.57	31.99
900.00	930.00	6.21	36.59	31.80
1100.00	1130.00	6.27	34.74	30.90
1300.00	1330.00	6.29	34.72	30.23
1500.00	1530.00	6.54	36.82	31.49
1700.00	1730.00	6.55	39.01	38.62
1900.00	1930.00	6.62	44.79	38.95
2100.00	2130.00	6.91	43.32	30.41
2300.00	2330.00	7.08	37.40	27.46
2500.00	2530.00	7.17	33.59	24.34