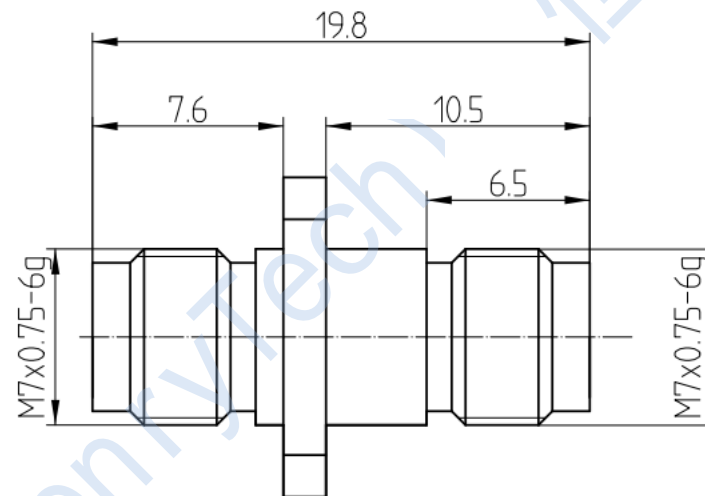
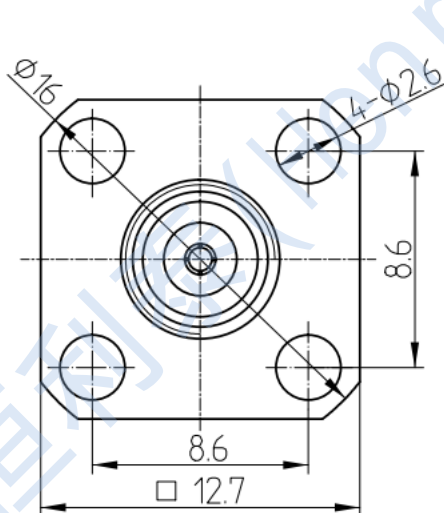


This document contains proprietary information and such information may not be disclosed to others for any purposes, not used for sales/marketing/procurement purposes without written permission

REV	DESCRIPTION OF REVISION	ECN NO.	BY	DATE	APPROVED
A	Initial Release	—	H.wei	1/8/14	1/8/14



1 Electrical

- 1.1 Impedance: 50 Ω
- 1.2 Frequency: DC-50GHz
- 1.3 VSWR: 1.3:1

2 Mechanical&Environmental



- 2.1 Temperature range -45°C ~+125°C
- 2.2 Durability(matings) >500
- 2.3 RoHs Compliant Yes

3 Material&Finish

- 3.1 Pin contact: Beryllium-Copper, gold plated
- 3.2 Body: Stainless Steel(SU303), Passivated
- 3.3 Insulators: PEI

Notes:

- 1. ALL SPECIFICATIONS ARE SUBJECT TO CHANGE NOTICE AT ANY TIME
- 2. CUSTOMER OUTLINE DRAWING FOR REFERENCE ONLY

DRAWN: H.wei 1/8/14	TITLE: Precision Adapter 2.4 Female to 2.4 Female Flange Adapter					
ENGINEER: L.yu 1/8/14						
APPROVED: W.yi 1/8/14		 DIMENSION IN MILLIMETERS (mm)				
TOLERANCES UNLESS OTHERWISE SPECIFIED X ±0.50 .X ±0.20 .XX ±0.10 ANGLES ±1°		PART NO: HL-2.4-KFKG	SIZE: A4	SCALE: N/A	SHEET: 1/1	REV: A