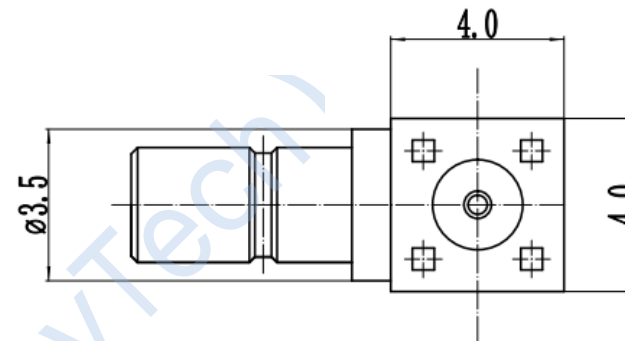
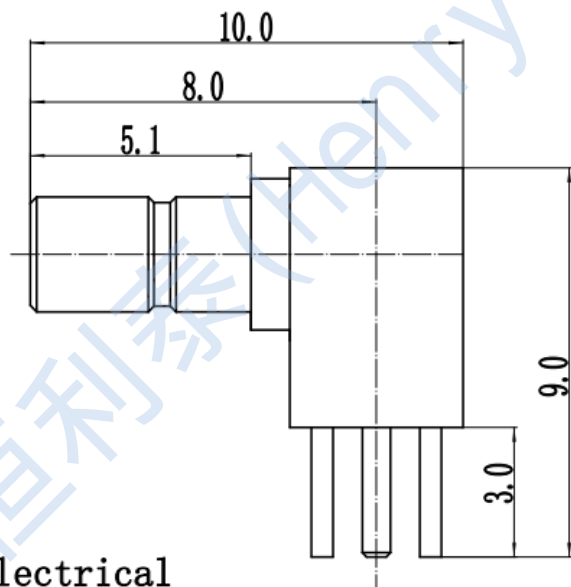
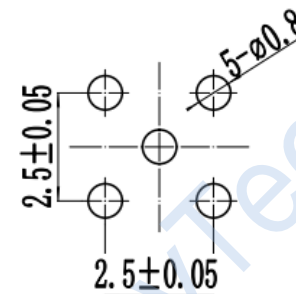


This document contains proprietary information and such information may not be disclosed to others for any purposes, not used for sales/marketing/procurement purposes without written permission

REV	DESCRIPTION OF REVISION	ECN NO.	BY	DATE	APPROVED
A	Initial Release	—	H.wei	19/03/17	19/03/17



Recommended Monting Hole



Electrical


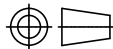
1. Impedance: 50 Ω
2. Frequency: 0~3GHz
2. Working voltage: $\leq 250V$
3. Insulation resistance: $\geq 1000M\Omega$
4. Dielectric strength: 500V
5. Center contact resistance $\leq 5m\Omega$
6. Center contact resistance $\leq 2.5m\Omega$

Material&Finish

1. Inner Contact: gold plated over Brass
2. Outer Contact: gold plated over brass.
3. Insulators: Teflon

Notes:

1. ALL SPECIFICATIONS ARE SUBJECT TO CHANGE NOTICE AT ANY TIME
2. CUSTOMER OUTLINE DRAWING FOR REFERENCE ONLY

DRAWN: H.wei 19/03/17	TITLE:				
ENGINEER: L.yu 19/03/17	RF Coaxial Connector SSMB Right-angle Plug For PCB				
APPROVED: W.yi 19/03/17		 DIMENSION IN MILLIMETERS (mm)			
TOLERANCES UNLESS OTHERWISE SPECIFIED X ± 0.50 X ± 0.20 XX ± 0.10 ANGLES $\pm 1^\circ$	PART NO: HL-SSMB-KWHDA	SIZE: A4	SCALE: N/A	SHEET: 1/1	REV: A