

This document contains proprietary information and such information may not be disclosed to others for any purposes, not used for sales/marketing/procurement purposes without written permission

REV	DESCRIPTION OF REVISION	ECN NO.	BY	DATE	APPROVED
A	Initial Release	—	H.wei	19/03/17	19/03/17

1 Electrical

- 1.1 Impedance: 50 Ω
- 1.2 Frequency: DC-18GHz
- 1.3 VSWR: 1.20:1

2 Mechanical & Environmental

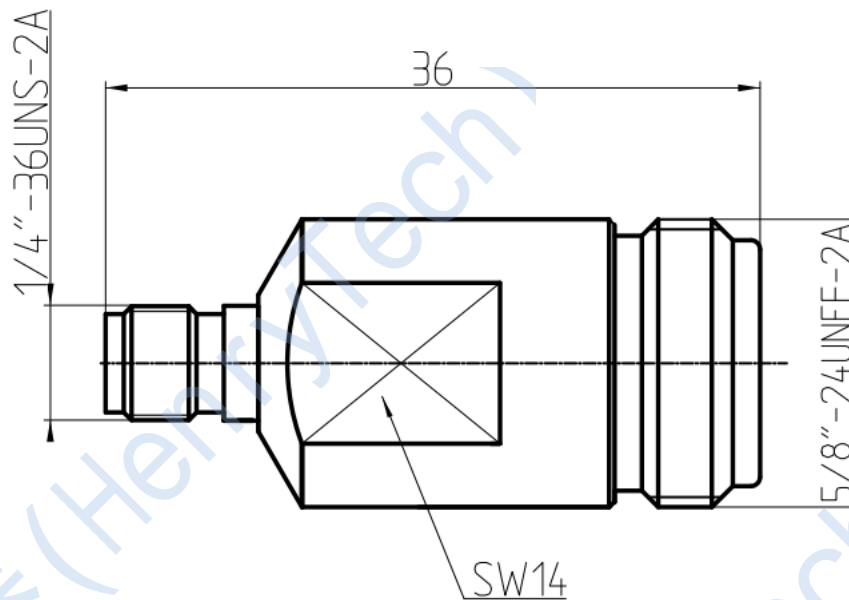
- 2.1 Temperature range -45°C ~+85°C
- 2.2 Durability (matings) >500
- 2.3 RoHS Compliant Yes

3 Material & Finish

- 3.1 Pin contact: Beryllium-Copper, gold plated
- 3.2 Body: Stainless Steel (SU303), Passivated
- 3.3 Insulators: PEI

4 Interface Standards

- 4.1 SMA MIL-STD-348A
- 4.2 N MIL-STD-348A



Notes:
 1. ALL SPECIFICATIONS ARE SUBJECT TO CHANGE NOTICE AT ANY TIME
 2. CUSTOMER OUTLINE DRAWING FOR REFERENCE ONLY

DRAWN: H.wei 19/03/17	TITLE: N Female to SMA Female adapter				
ENGINEER: L.yu 19/03/17					
APPROVED: W.yi 19/03/17		DIMENSION IN MILLIMETERS (mm)			
TOLERANCES UNLESS OTHERWISE SPECIFIED X ±0.50 .X ±0.20 .XX ±0.10 ANGLES ±1°	PART NO: HL-N/SMA-KKG	SIZE: A4	SCALE: N/A	SHEET: 1/1	REV: A