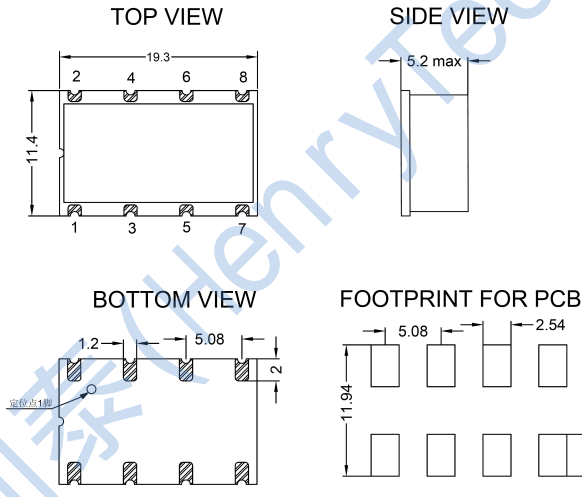




0.1-400Mhz 50Ω 2 Ways 0° Power Splitter

HT-SCP-2-1+

Mechanical Dimensions:



Notes:

- 1: Dimensions in mm.
- 2: Tolerance ± 0.3 mm unless otherwise noted.

Ports Configuration:

SUM PORT	1
PORT1	5
PORT2	6
GROUND	2,3,4,7,8

Schematic:



Maximum Ratings:

Parameters	Conditions	Unit	Min	Max
RF Power		Watt		1
DC Current		mA		600
Operating Temperature Range		Degree Cel	-40	85
Storage Temperature Range		Degree Cel	-55	100
Moisture Sensitivity Level				1

Ordering Information:

Part Description	Details
HT-SCP-2-1+	500 per reel



0.1-400MHz 50Ω 2 Ways 0° Power Splitter

HT-SCP-2-1+

Electrical Specifications: Zo=50 Ohm Pin = 0 dBm

Parameter	Test Conditions	Unit	Min	Typical	Max
Frequency Range	-	MHz	0.1	~	400
Insertion Loss	0.1-400MHz	dB	-	-	1.2
Amplitude unbalance	0.1-400MHz	dB	-	-	0.3
Phase unbalance	0.1-400MHz	°	-	-	3
Input VSWR	0.1-400MHz	-	-	-	1.5
Output VSWR	0.1-400MHz	-	-	-	1.8
Isolation	0.1-400MHz	dB	15	-	-

Notes:

1: Specifications guaranteed over the operating temperature range.

Typical Performance Curves:

